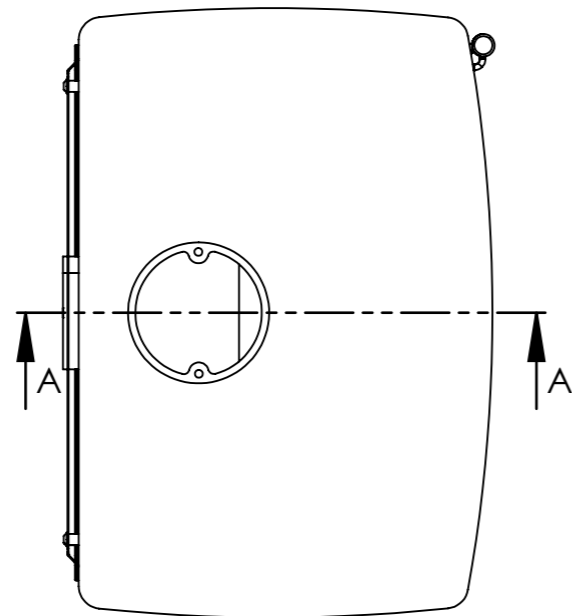



SECTION A-A



Cutting	Thread	Tooling	Rolling	Bending	Heating	Sandblasting	Welding	Painting	Drawn	
-	-	-	-	-	-	-	-	-	TT	
Material						Thickness (mm)	Weight (kg)	Format	Scale	General tol.
						107.09	A3	1:6.7		
 <a href="http://www.heta.dk">www.heta.dk</a>						Description Overview Project Inspire 45H				
						All information contained in this document is property of HETA. Without written permission, any copying, transmittal to other, and any use except that for which it is loaned is prohibited.				