
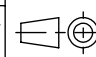


REVISIONS										
REV.	DESCRIPTION								DATE	APPROVED
									01-05-2016	LK
Cutting	Thread	Tooling	Rolling	Bending	Heating	Sandblasting	Welding	Painting	Drawn	
-	-	-	-	-	-	-	-	-	BH	
Material					Thickness (mm)	Weight (kg)	Format	Scale	General tol.	
					78.38	A3	1:6.67	ISO 2760-1 m		
 www.heta.dk					Description					
					Flat floor model					
<small>All information contained in this document is property of HETA. Without written permission, any copying, transmittal to other, and any use except that for which it is loaned is prohibited.</small>					Project					
					Inspire 40 Insert					
					Part no.				Sheet	
					8150-0010				1 OF 1	
					Rev.					