

## FORMIA Technical Data

Roomheater type		FORMIA
Inspection in accordance with EN 13240 <sup>1)</sup>		CE mark
<b>Data for the flue dimensioning according to EN 13384 parts 1 and 2</b>		
Nominal heat output	[kW]	6
Heat output range	[kW]	4 - 7
Flue spigot temperature	[°C]	220
Flue gas mass flow	[g/s]	7,0
<b>Data for the chimney unit dimensioning in relation to the rated heat load</b>		
Fuel filling quantity	[kg]	2,0
Burning rate	[kg/h]	2,0
Minimum- / Maximum <sup>2)</sup> feed pressure at the flue spigot	[Pa]	12 / 20
<b>Emission thresholds and efficiency factor</b>		
CO in relation to 13% O <sub>2</sub>	[mg/m <sup>3</sup> <sub>N</sub> ]	< 1250
Dust content in relation to 13% O <sub>2</sub>	[mg/m <sup>3</sup> <sub>N</sub> ]	< 40
OGC in relation to 13% O <sub>2</sub>	[mg/m <sup>3</sup> <sub>N</sub> ]	< 120
NO <sub>x</sub> in relation to 13% O <sub>2</sub>	[mg/m <sup>3</sup> <sub>N</sub> ]	< 200
Efficiency	[%]	> 80
<b>Minimum clearance distances from combustible materials</b>		
rear	[cm]	20
sides	[cm]	20
In the radiation area of the viewing glass	[cm]	80
<b>Combustion air</b>		
Combustion air demand	[m <sup>3</sup> /h]	25
Combustion air inlet	Ø [mm]	100
<b>Dimensions and weights</b>		
Burning chamber (w x h x d)	[cm]	31 x 53 x 26
Weight roomheater	ca.[kg]	210

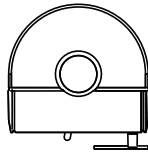
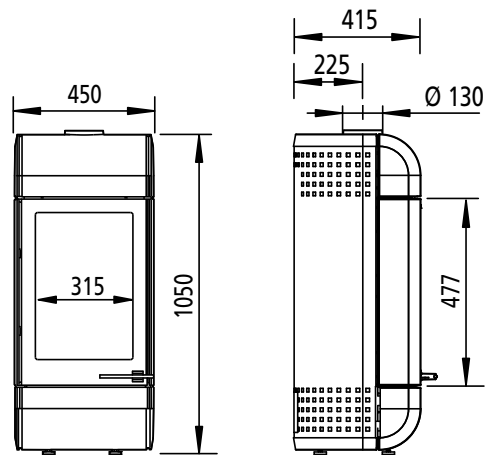
<sup>1</sup> The roomheater FORMIA was testetd with a flue gas pipe length of 80 cm.

<sup>2</sup> This maximum value is important to get an optimal efficiency.

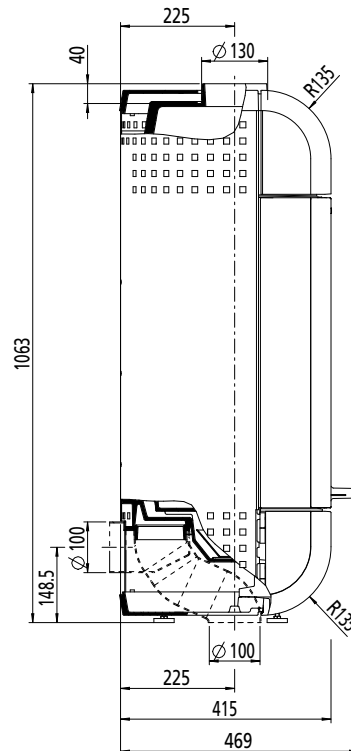
Modifications of the dimensions  
and construction reserved!

Drawing is not true to scale!

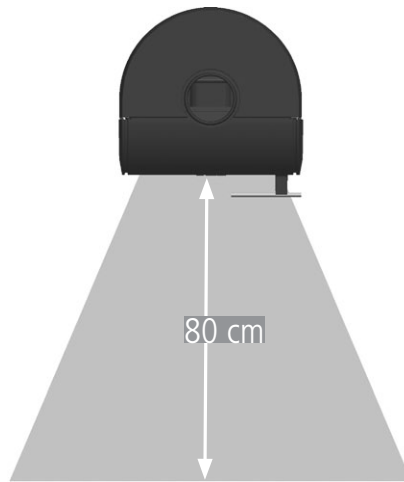
Dimensions



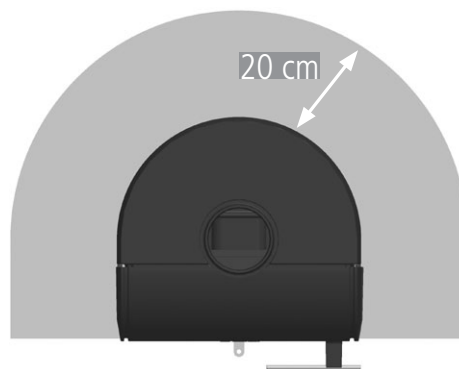
Dimensions of the FORMIA in use with a combustion air pipe



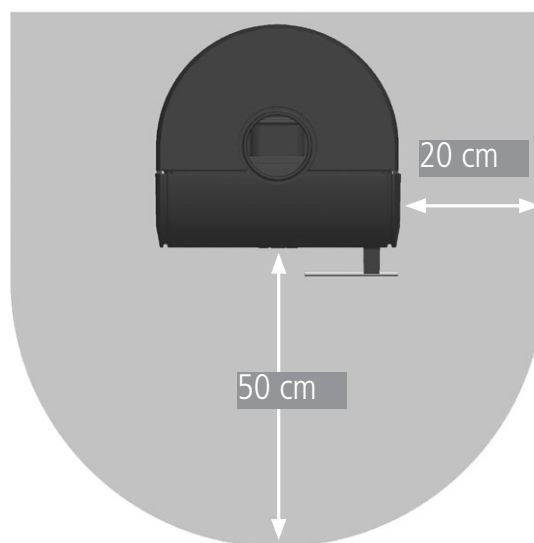
Minimum clearance distances from combustible materials and non burning floor underlay



In the radiation area of the viewing glass



Minimum clearance to the sides and rear



non burning floor underlay to the sides and in the front of the roomheater