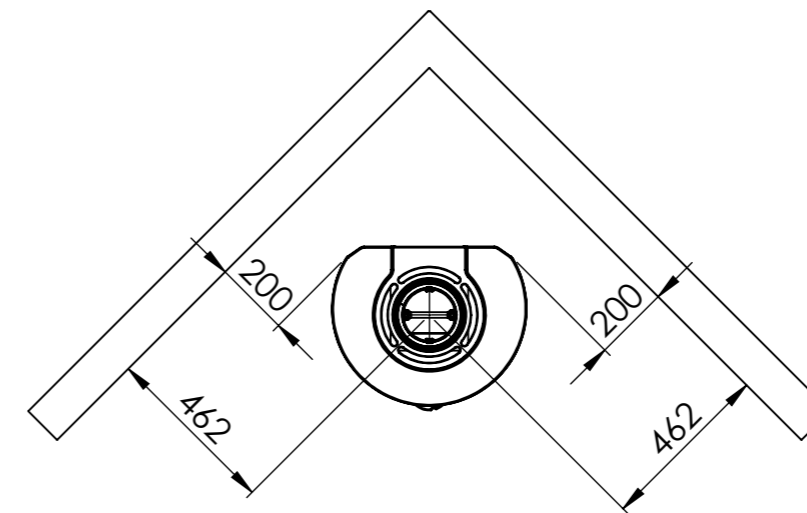
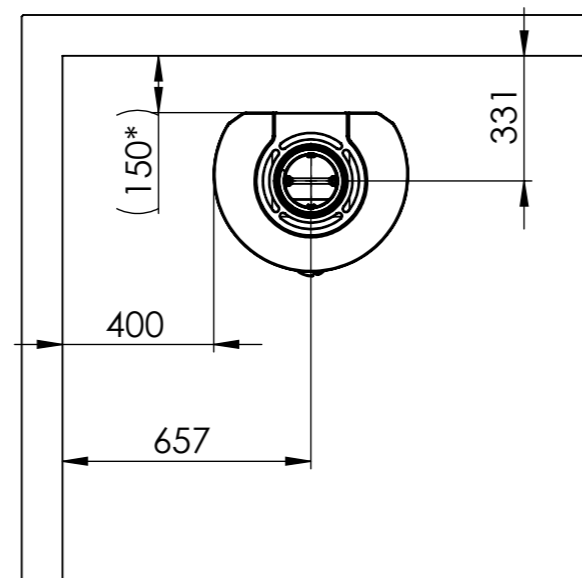
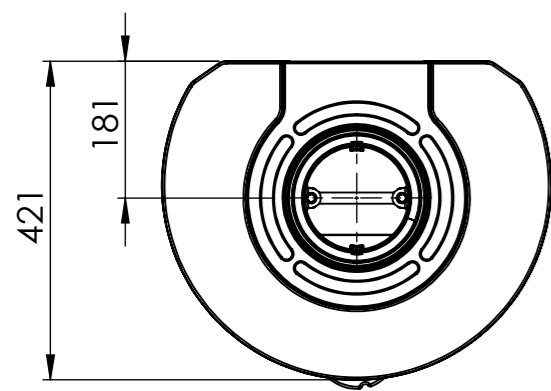
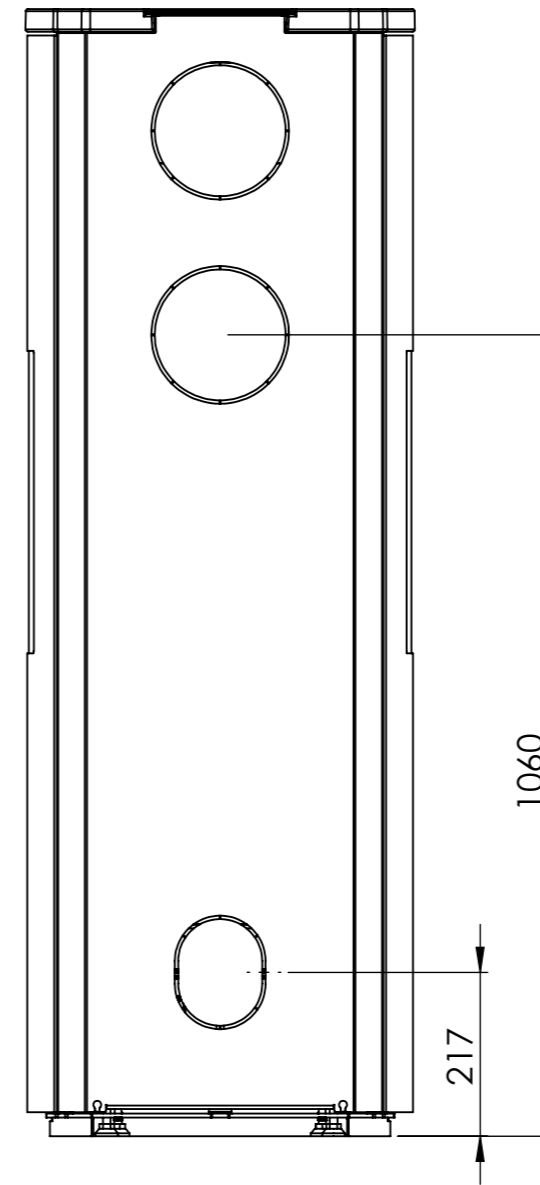
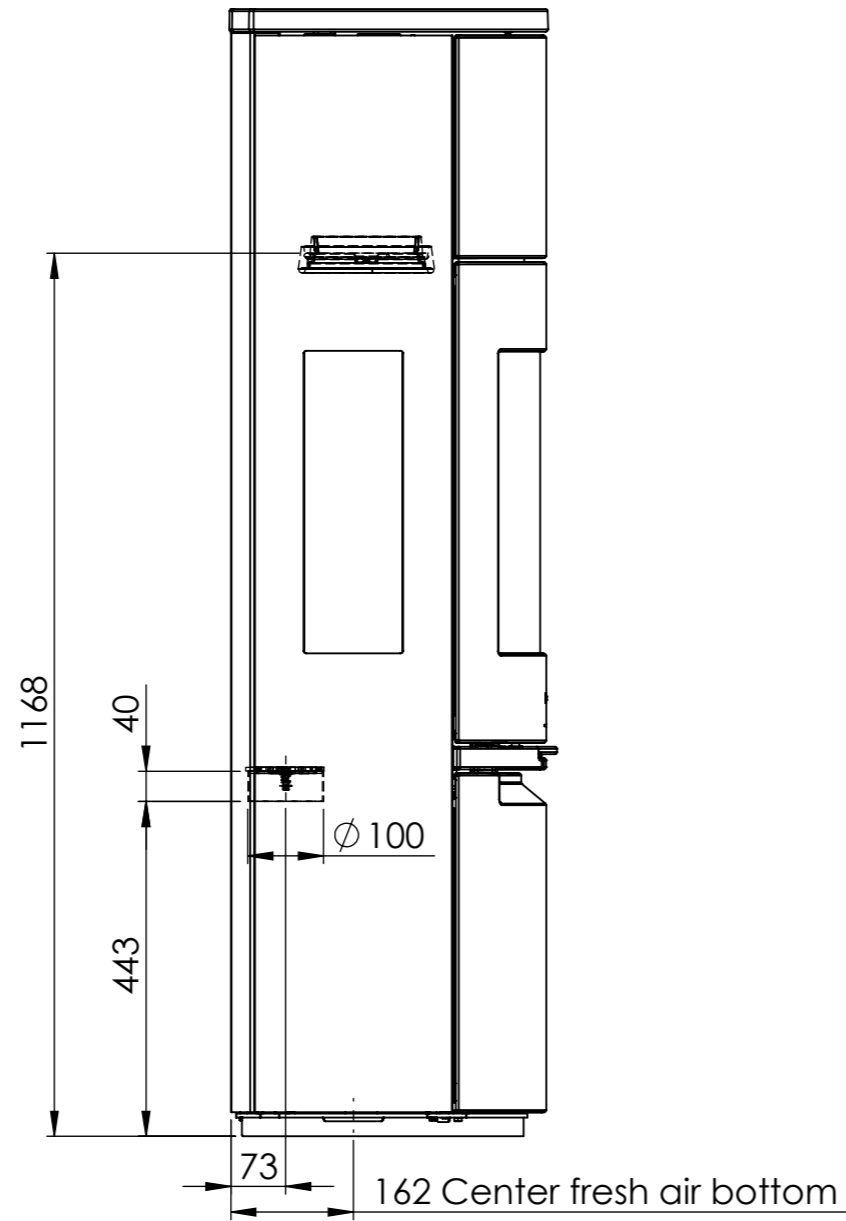
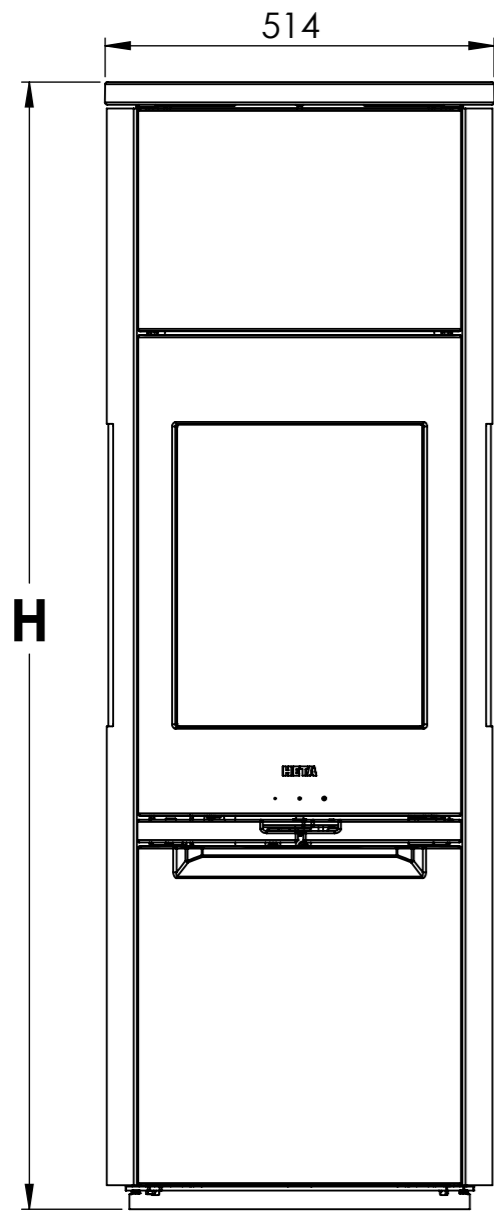
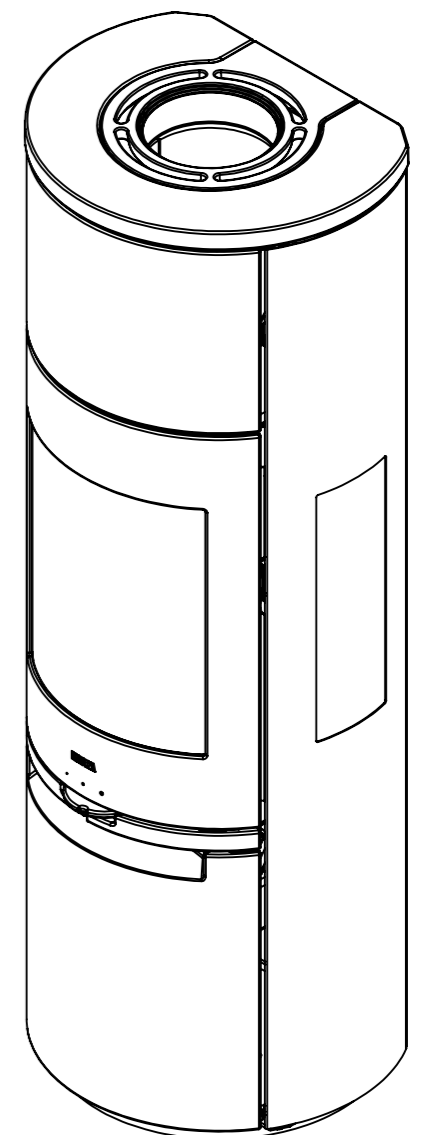




Serie	Scan-Line 900
Description	Scan-Line 900S Therma stone steel / stone Side windows



	Casted top	Stone
H	1491	1511



* 125 mm With insulation/ shielding of the flue gas connector