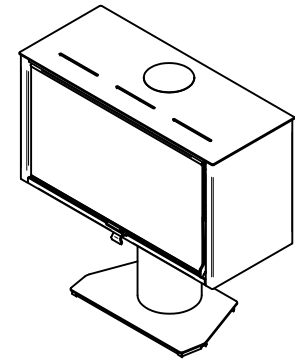



SECTION A-A



180,7 kg veikt	Area	Saml. Materiel	Montere Proces		
		Jupitervej 22		Last access	08-08-2016
		7620 Lemvig		Drawing	LSK 08-08-2016
SI 100 drejbar Firkantet 100		Tlf. 96630600		Last change/ Rev Nr	Date/Rev Nr
		Fax 96630616		Draft type	
		Bending number		General tolerance. DS/ISO 2768-1-m	
		Roll adjustment		1 2	
		Bend 1		Solid Edge	
		Bend 2		8046-0150.dft	
		Cut number		8046-0150.am	
		Roll Pressure		8046-0150	