
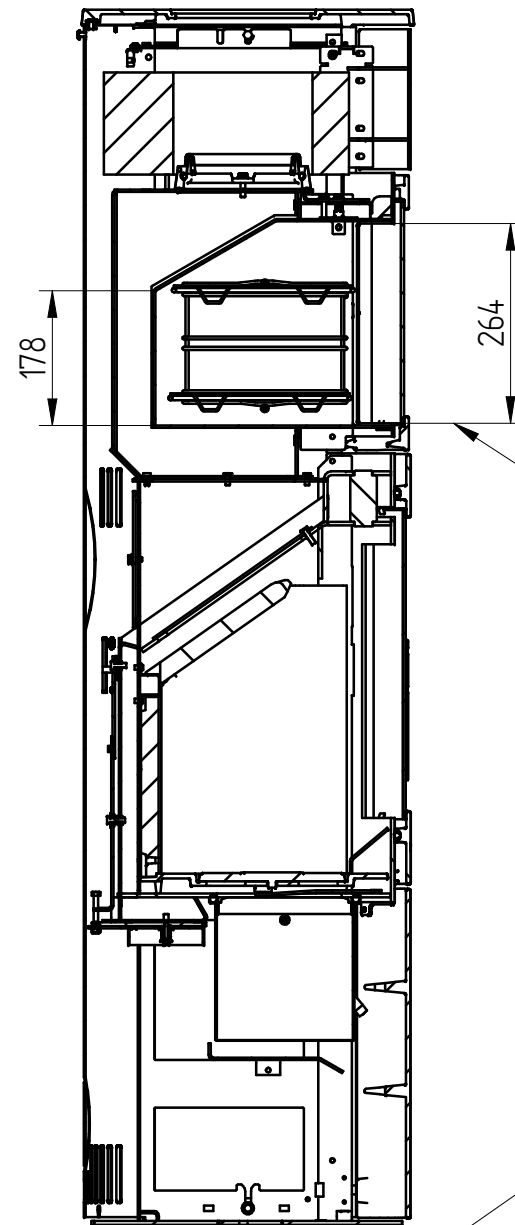
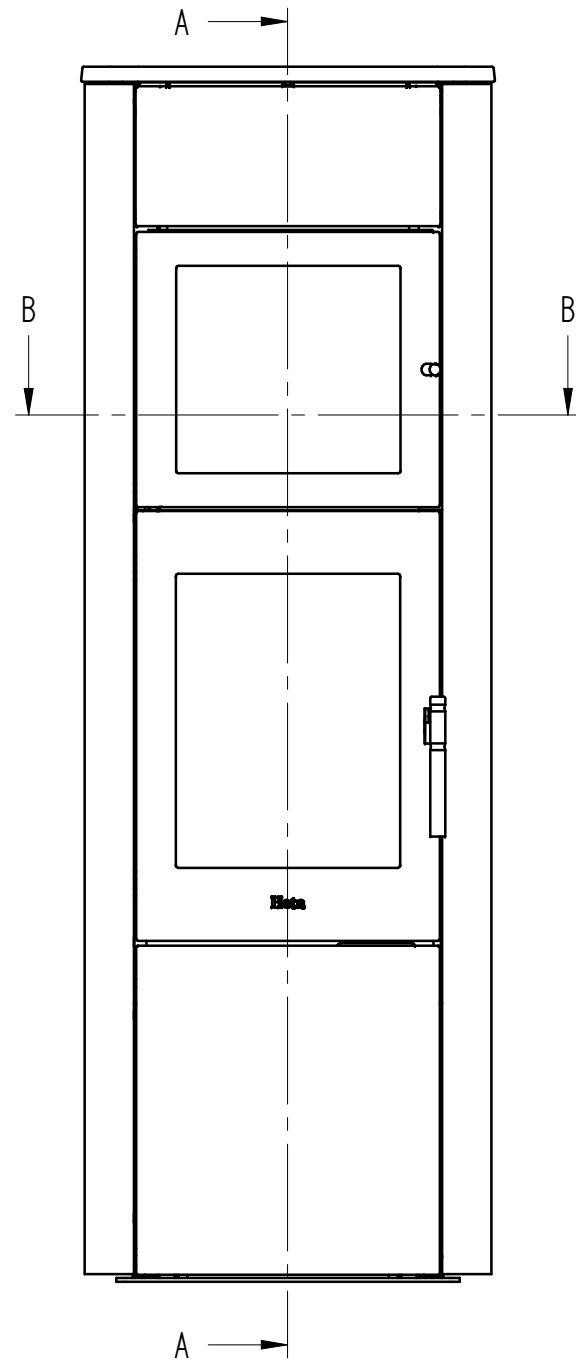
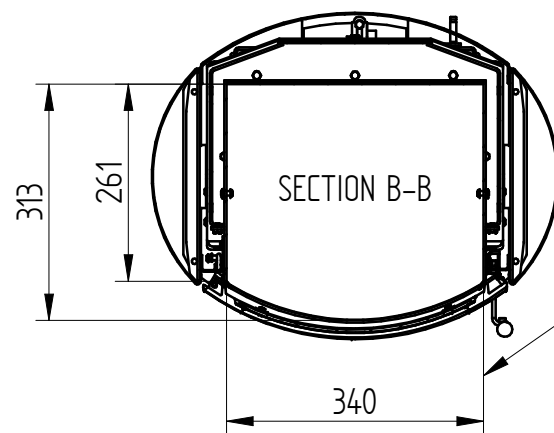



230,2 kg veigt	Area	Saml. Materiel	Montere Proces	
 Heta Jupitervej 22 7620 Lemvig Tlf. 96630600 Fax 96630616	Bending number		Last access	08-08-2016
	Bend 1		Drawing	LSK 08-08-2016
	Bend 2		Last change/ Rev Nr	Date/Rev Nr
	Cut number		Draft type Samlingstegning	
Scanline 830 Bageovn		Roll adjustment		General tolerance. DS/ISO 2768-1-m
SL 800 Serie		1	2	Solid Edge 8045-1300-miltegning.dft 8045-1300.asm
		Roll Pressure		8045-1300



SECTION A-A

Indvendige mål bageovn
Innenmaße des Backofens
Inside measurement baking oven.



230,2 kg veigt	Area	Saml. Materiel	Montere Proces	
 Heta Jupitervej 22 7620 Lemvig Tlf. 96630600 Fax 96630616	Bending number		Last access	08-08-2016
	Bend 1		Drawing	LSK 08-08-2016
	Bend 2		Last change/ Rev Nr	Date/Rev Nr
	Cut number		Draft type Samlingstegning	
Scanline 830 Bageovn		Roll adjustment	General tolerance. DS/ISO 2768-1-m	
SL 800 Serie		1 2	Solid Edge 8045-1300-måltægning.dft 8045-1300.asm 8045-1300	
		Roll Pressure		